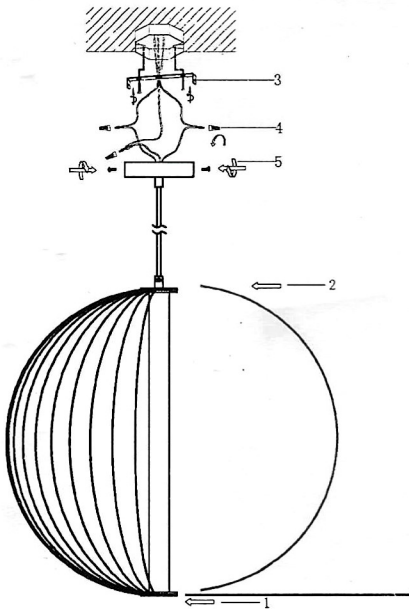
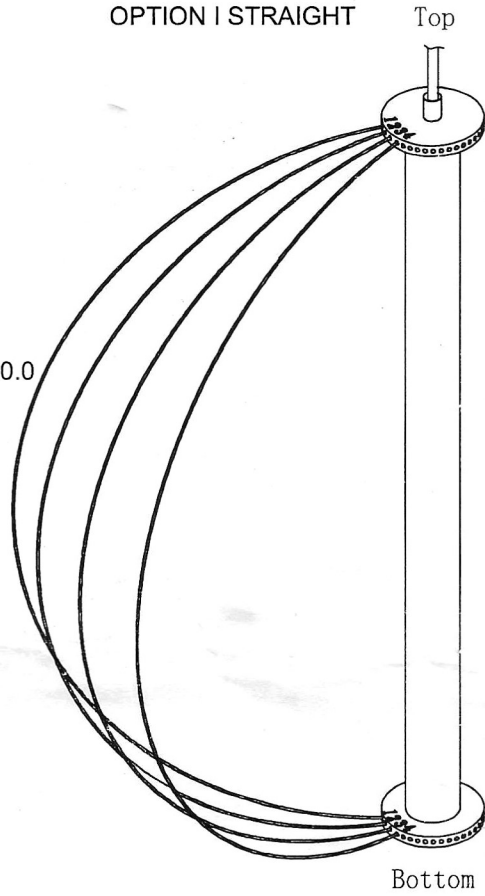


# AVE

L I G H T I N G

OPTION I STRAIGHT

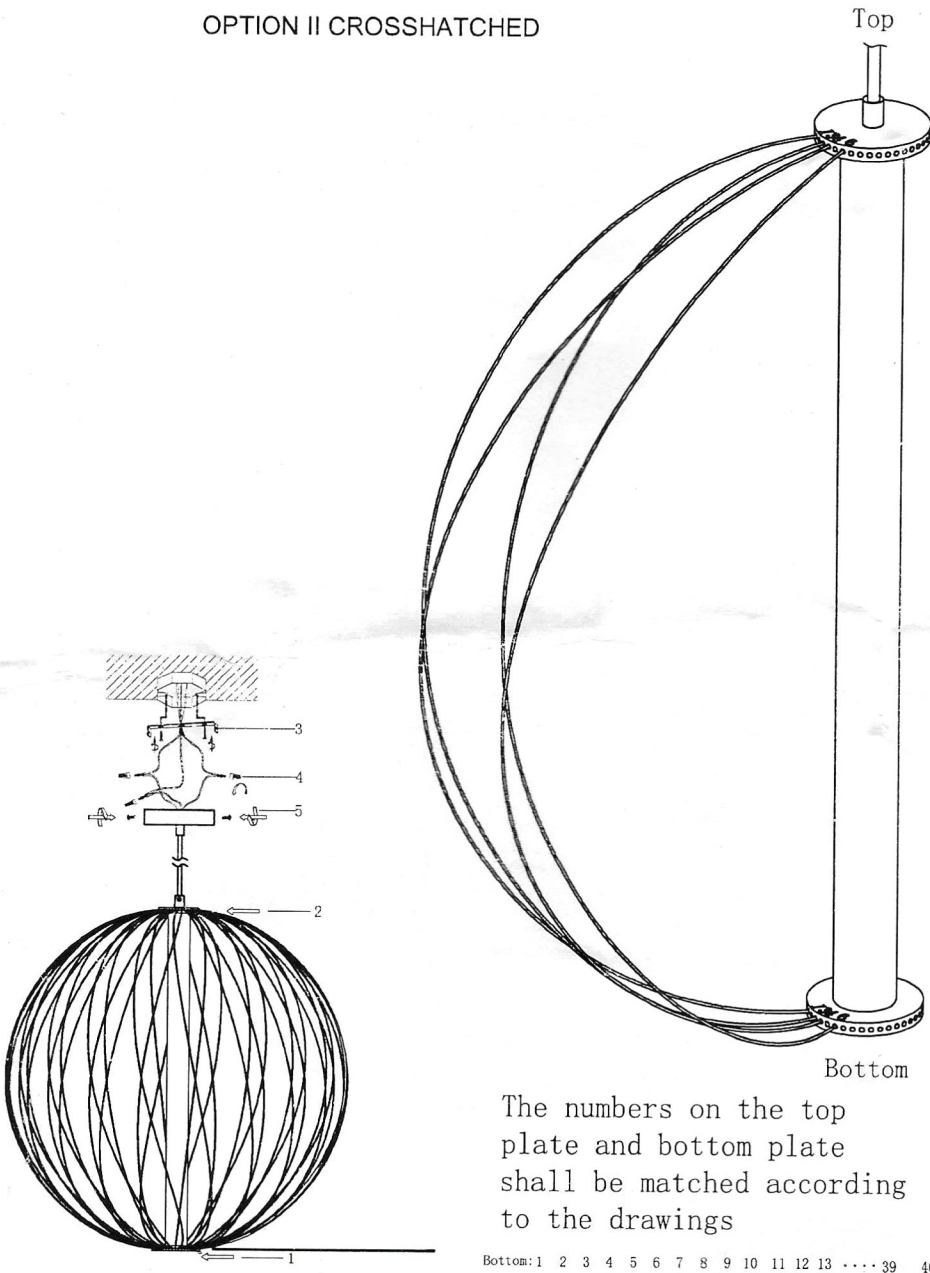
120Vac,LED 10W  
 CONFORMS TO UL STD.1598  
 CERTIFIED TO CSA STD. C22.2 NO.250.0



The numbers on the top  
 plate and bottom plate  
 shall be matched according  
 to the drawings

Bottom: 1 2 3 4 ... 40  
 | | | | | |  
 Top: 1 2 3 4 ... 40

OPTION II CROSSHATCHED



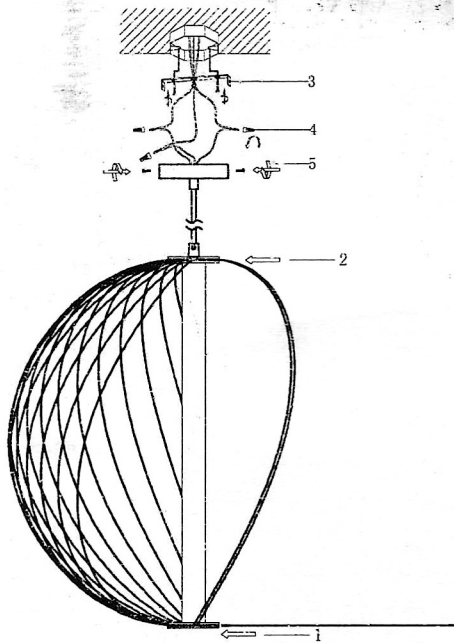
The numbers on the top plate and bottom plate shall be matched according to the drawings

Bottom:	1	2	3	4	5	6	7	8	9	10	11	12	13	....	39	40
Top:	4	39	6	1	8	3	10	5	12	7	14	9	16	....	2	37

# AVE

L I G H T I N G

OPTION III SPIRAL



The numbers on the top plate and bottom plate shall be matched according to the drawings

Bottom: 1 2 3 4... 40  
 | | | | |  
 Top: 9 10 11 12... 8