

LED WALL LAMP

Model Number: HF9405-XXX

INSTRUCTION:

Congratulation on your purchase . You have selected a quality product. The instructions for use are a part of the product. They contain important information about the safety, use and disposal of the product. Read and understand all instructions and illustration completely before proceeding with assembly and installation of this fixture.

Use a qualified electrician for the installation of this fixture.

All parts must be used as indicated in the instruction in these instruction. Do not substitute any parts, leave parts out, or use any parts that are worn out or broken.

The fixture is intended for installation in accordance with the National Electric Code(NEC) and all local code specification.

Use ONLY the supplied LED driver to power fixture.

Do NOT operate fixture if any lights are not operating or operating improperly or fixture could be further damaged.

Electrical Rating:120V, 60Hz

PREPARATION:

Carefully remove the fixture from the carton and check that all parts are included as shown in illustration. If any part is missing or damaged, do not attempt to assemble the product.

TOOLS REQUIRED(not included):

Phillips screwdriver	Electrical tape
Flathead screwdriver	Ladder
Wire strippers	Safety glasses

THIS PACKAGE INCLUDES:

4 x Junction box screws
3 x Wire connectors

NOTE:

1, This device complies with Part 15 of the FCC Rules. Operation is subject to the following two conditions:

- (1) this device may not cause harmful interference, and
- (2) this device must accept any interference received, including interference that may cause undesired operation.

(3) *Importer: Avenue Lighting, Address: 9000 Fullbright Ave, Chatsworth Ca. 91311, USA, telephone number: 800-798-0409*

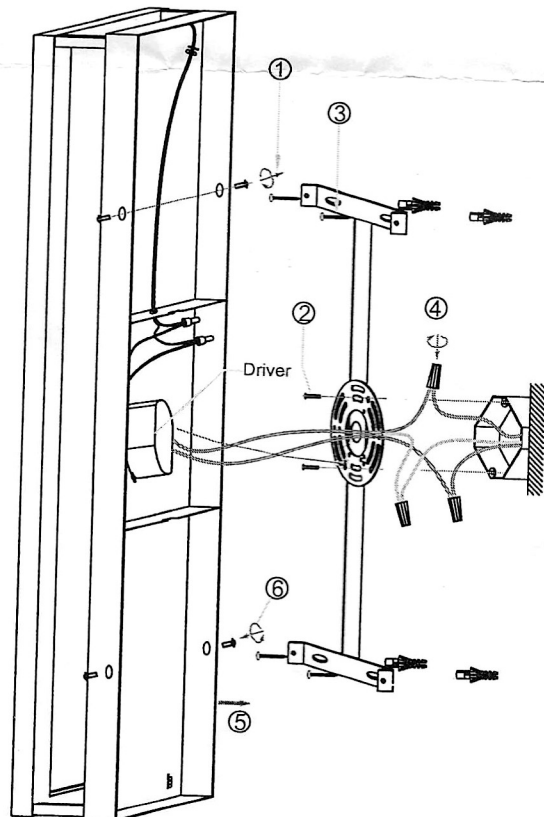
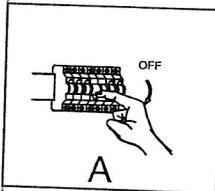
2, Please note that changes or modifications of this product is not expressly approved by the party responsible for compliance could void the user's authority to operate the equipment

3, This equipment has been tested and found to comply with the limits for a Class B digital device, pursuant to Part 15 of the FCC Rules. These limits are designed to provide reasonable protection against harmful interference in a residential installation. This equipment generates, uses and can radiate radio frequency energy and, if not installed and used in accordance with the instructions, may cause harmful interference to radio communications. However, there is no guarantee that interference will not occur in a particular installation. If this equipment does cause harmful interference to radio or television reception, which can be determined by turning the equipment off and on, the user is encouraged to try to correct the interference by one or more of the following measures:

- Reorient or relocate the receiving antenna.
- Increase the separation between the equipment and receiver.
- Connect the equipment into an outlet on a circuit different from that to which the receiver is connected.
- Consult the dealer or an experienced radio/TV technician for help.

ASSEMBLY INSTRUCTIONS:

- 1) Please turn off the power before installing the lamp (see fig A).
- 2) Remove the mounting bracket from the top box, then place the mounting bracket on the junction box. Then tighten with the junction box screw.
- 3) Connect the lamp power cord to the main power cord of the junction box. (white connect white, black connect black)
- 4) Wrap the Naked copper in the junction box around the green screw. Lock the green screw in the tooth hole. Connect the Naked copper of the lamp and the Naked copper of the junction box with the terminal.
- 5) Secure the canopy to the mounting plate using the mounting screws
- 6) Turn on the power (see fig B).



AVE
LIGHTING

