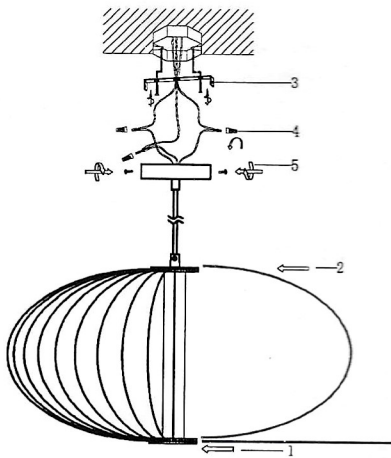
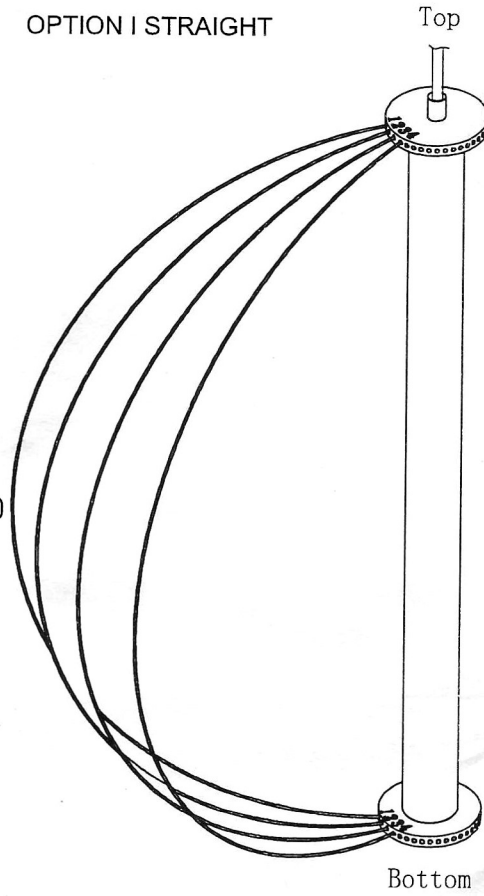


AVE

L I G H T I N G

OPTION I STRAIGHT

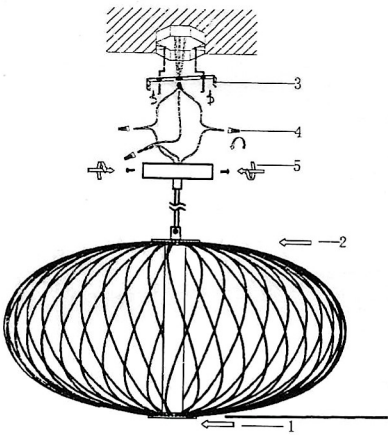
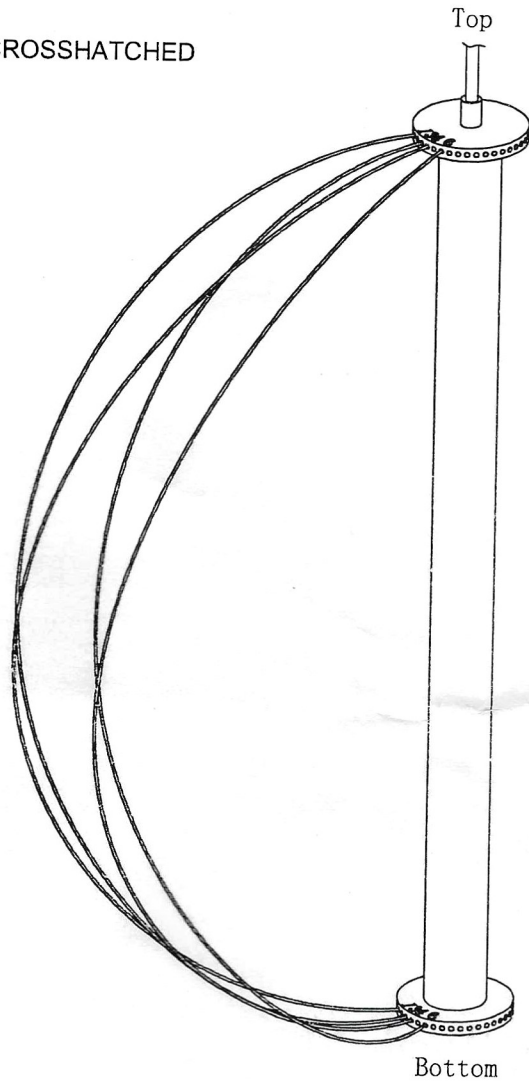
120Vac, LED 5W
 CONFORMS TO UL STD. 1598
 CERTIFIED TO CSA STD. C22.2 NO.250.0



The numbers on the top plate and bottom plate shall be matched according to the drawings

Bottom: 1 2 3 4 40
 | | | | |
 Top: 1 2 3 4 40

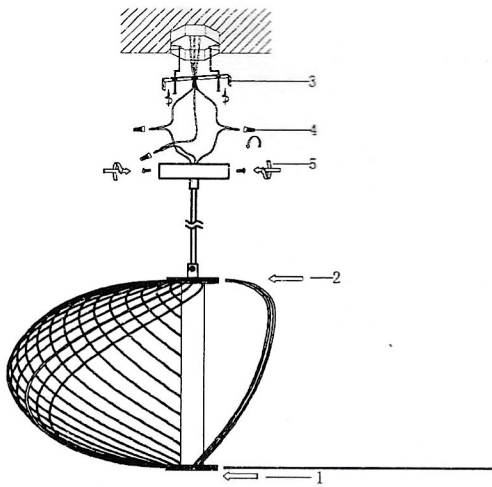
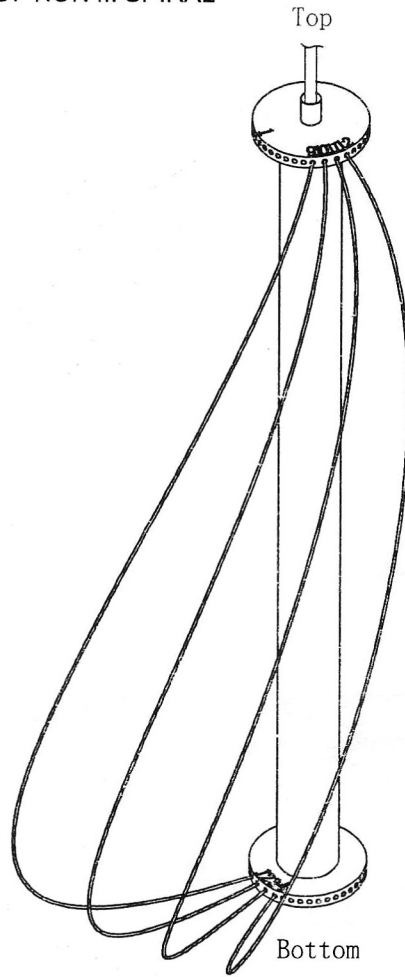
OPTION II CROSSHATCHED



The numbers on the top plate and bottom plate shall be matched according to the drawings

Bottom:	1	2	3	4	5	6	7	8	9	10	11	12	13	39	40
Top:	4	39	6	1	8	3	10	5	12	7	14	9	16	2	37

OPTION III SPIRAL



The numbers on the top plate and bottom plate shall be matched according to the drawings

Bottom: 1 2 3 4 40
 | | | | |
 Top: 9 10 11 12 8