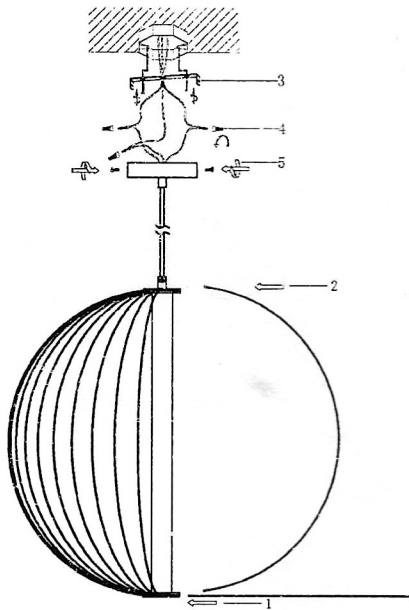
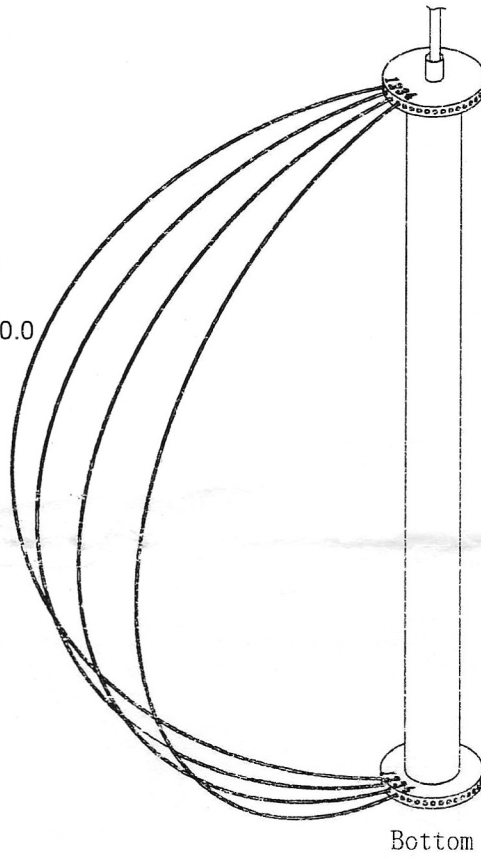


OPTION I STRAIGHT

Top

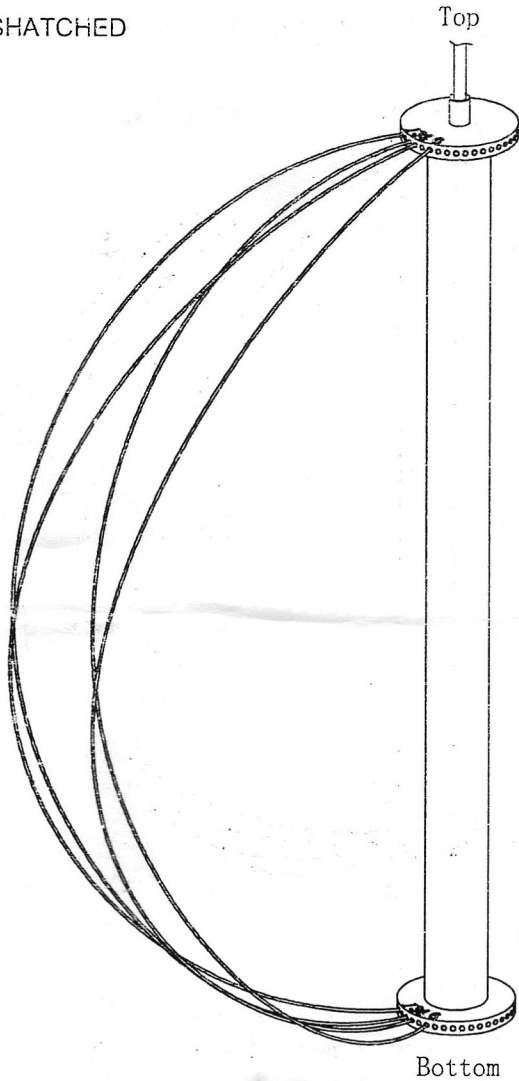
120Vac, LED 10W  
CONFORMS TO UL STD. 1598  
CERTIFIED TO CSA STD. C22.2 NO.250.0



The numbers on the top plate and bottom plate shall be matched according to the drawings

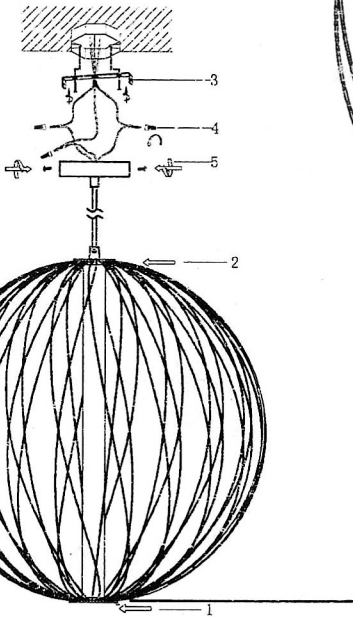
Bottom: 1 2 3 4... 40  
| | | | | |  
Top: 1 2 3 4... 40

OPTION II CROSSHATCHED



Bottom

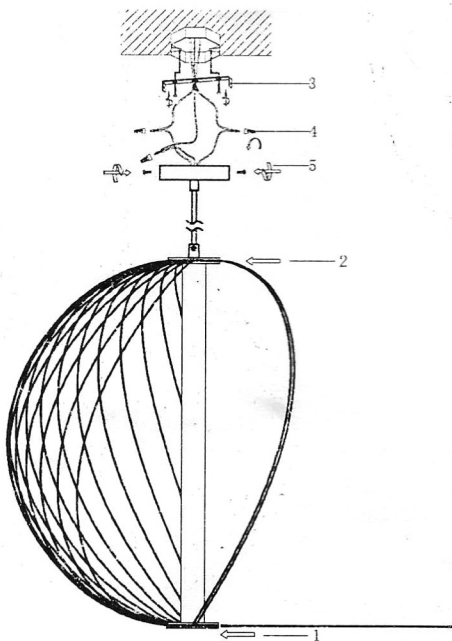
The numbers on the top plate and bottom plate shall be matched according to the drawings



Bottom:	1	2	3	4	5	6	7	8	9	10	11	12	13	...	39	40
Top:	4	39	6	1	8	3	10	5	12	7	14	9	16	...	2	37

**AVE**  
L I G H T I N G

OPTION III SPIRAL



The numbers on the top plate and bottom plate shall be matched according to the drawings

Bottom: 1 2 3 4.....40  
 | | | | | | |  
 Top: 9 10 11 12.....8