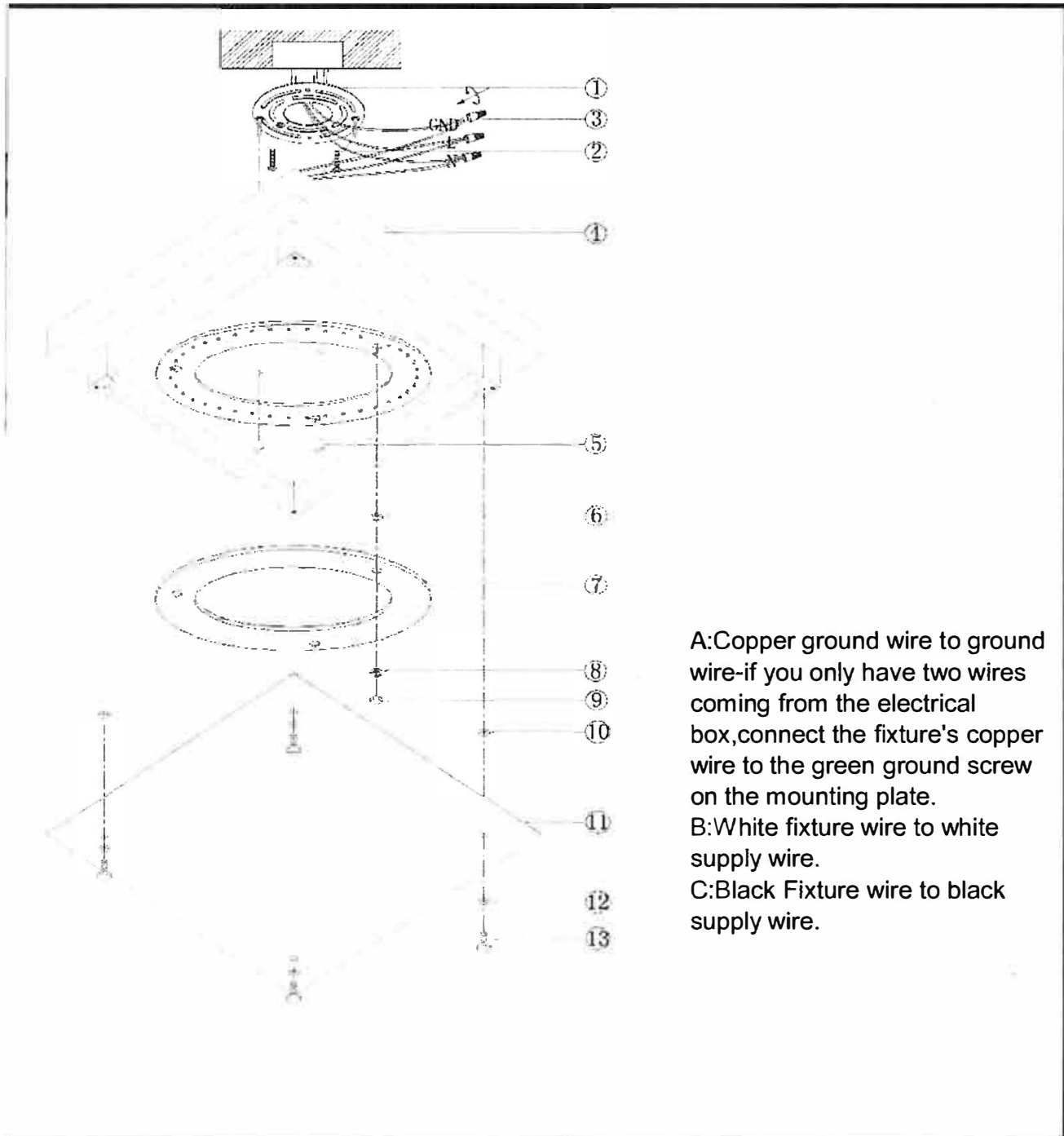


# AVE

L I G H T I N G

HF1103 and HF1104



A: Copper ground wire to ground wire-if you only have two wires coming from the electrical box, connect the fixture's copper wire to the green ground screw on the mounting plate.  
B: White fixture wire to white supply wire.  
C: Black Fixture wire to black supply wire.